

.475
.415 MIN
THD LENGTH

30°

.060

$\phi .495$

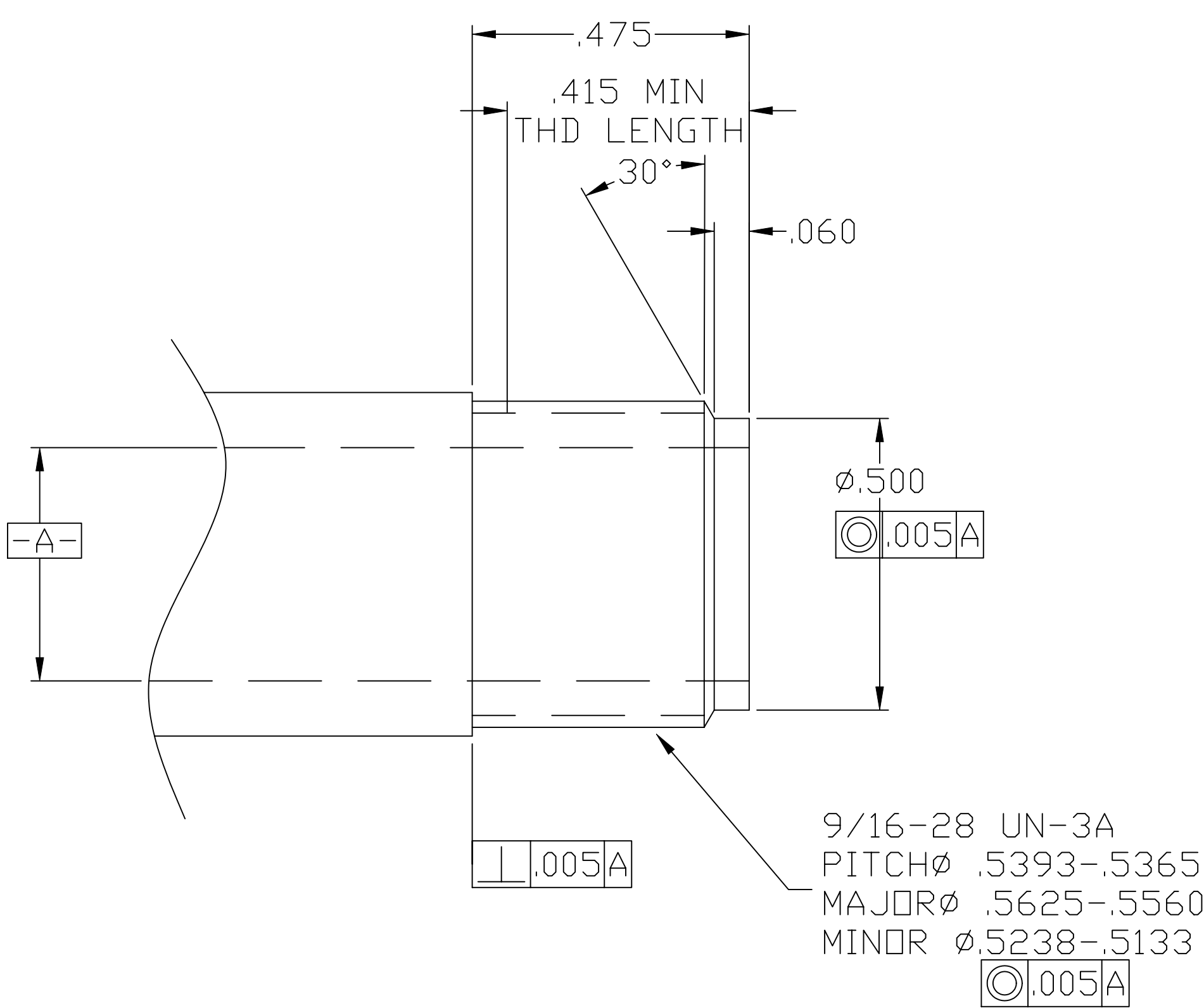
-A-

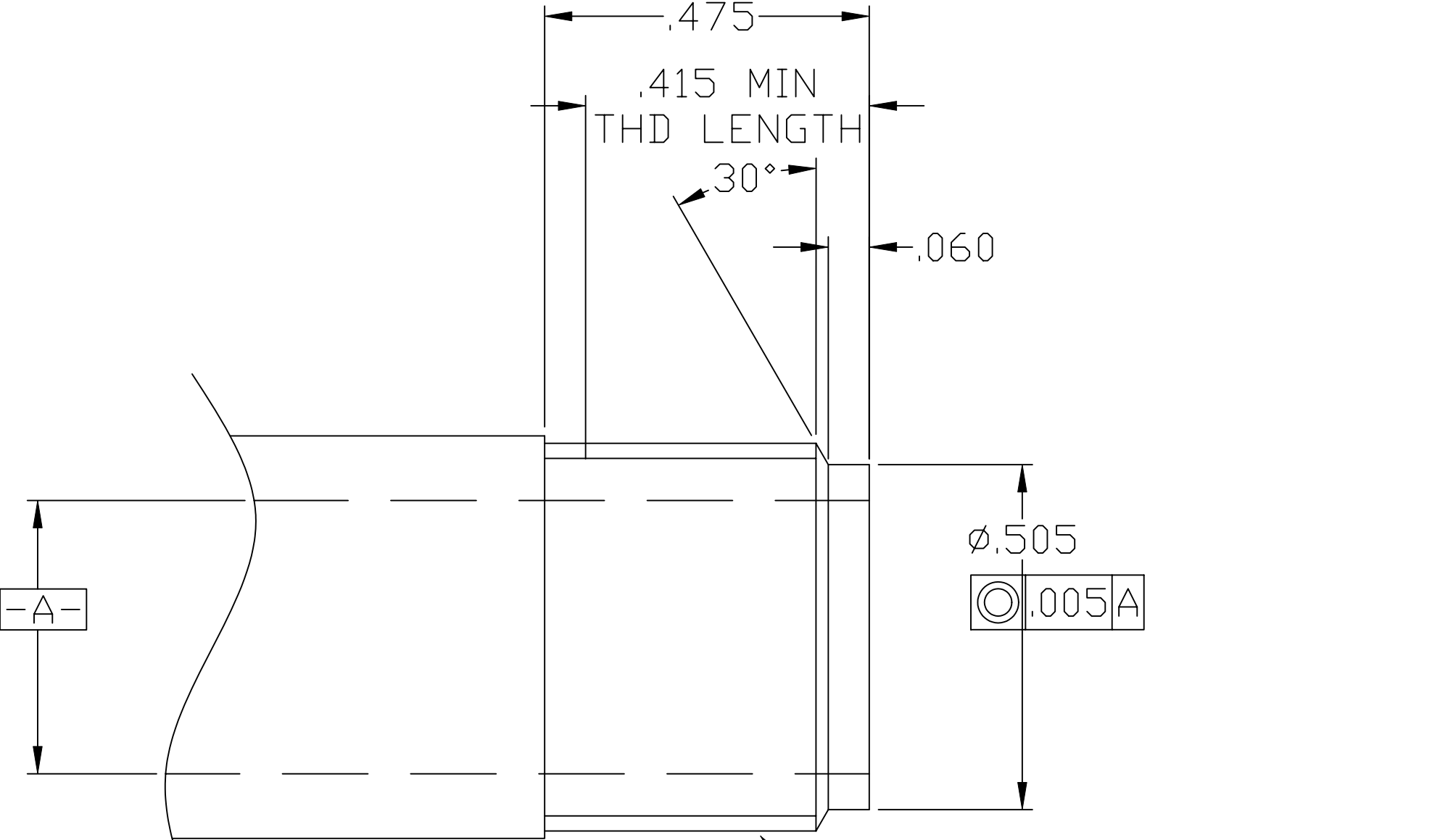
$\text{⊙} .005$ A

$\perp .005$ A

9/16-24 UNEF-3A
PITCH $\phi .5354 - .5325$
MAJOR $\phi .5625 - .5553$
MINOR $\phi .5174 - .5054$

$\text{⊙} .005$ A





$\text{┘} .005A$

M 14.5 X 1 LH
PITCH $\phi .5453-.5423$
MAJOR $\phi .5709-.5638$
MINOR $\phi .52825-.51809$

$\text{◎} .005A$