

.475

.415 MIN  
THD LENGTH

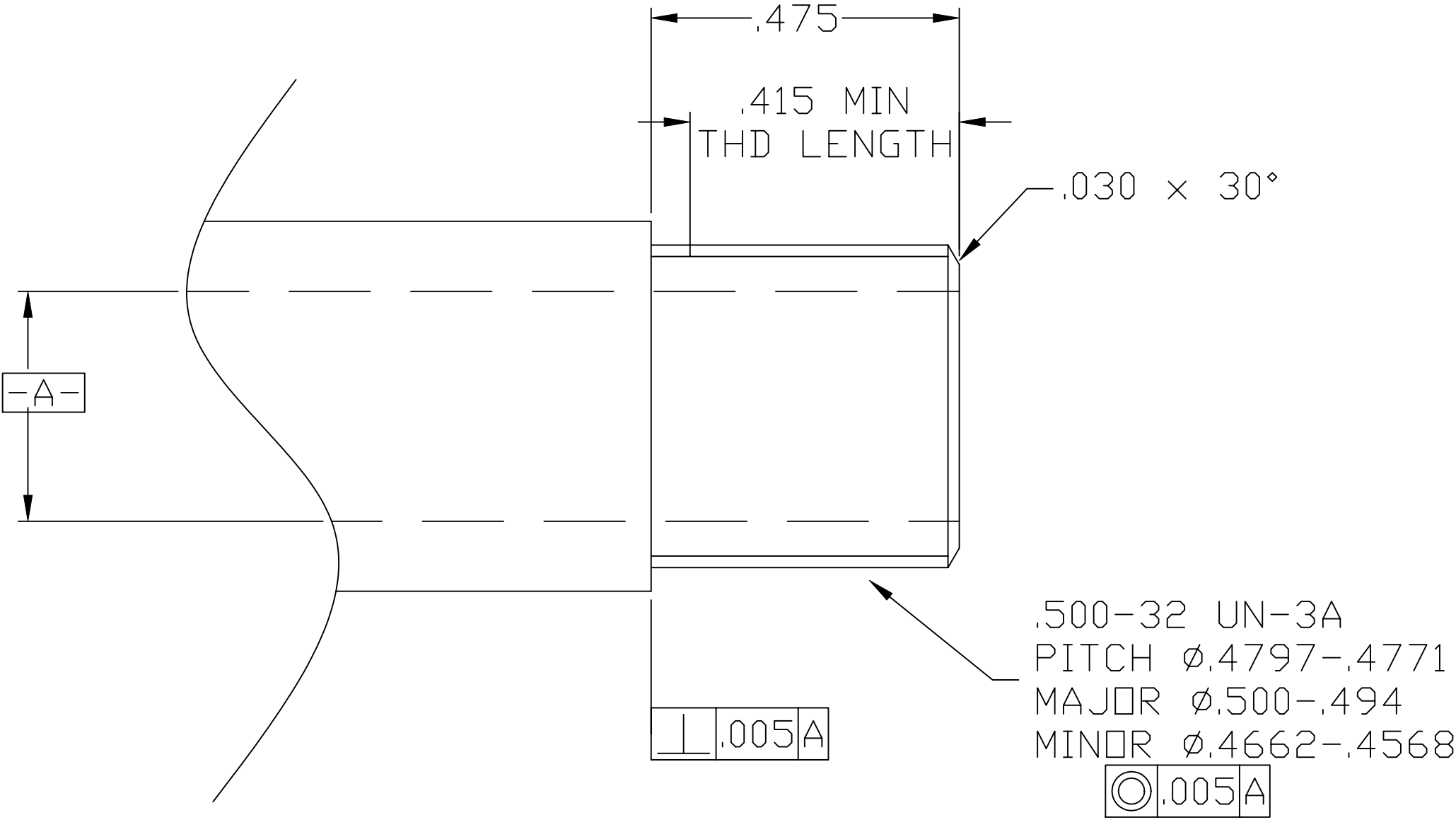
.030 x 30°

-A-

⊥ .005 A

.500-28 UNEF-3A  
PITCH  $\phi .4768 - .4740$   
MAJOR  $\phi .5000 - .4935$   
MINOR  $\phi .4613 - .4508$

⊙ .005 A



.475

.415 MIN  
THD LENGTH

.030 x 30°

-A-

┐.005A

.500-32 UN-3A  
PITCH Ø.4797-.4771  
MAJOR Ø.500-.494  
MINOR Ø.4662-.4568

⊙.005A

